



57 AMLAJACK BLVD. NEWNAN, GA 30265  
1-800-935-2766  
WWW.KASONIND.COM

PROJECT NAME: \_\_\_\_\_  
LOCATION: \_\_\_\_\_  
IDN# \_\_\_\_\_ QUANTITY: \_\_\_\_\_  
CATALOG# \_\_\_\_\_

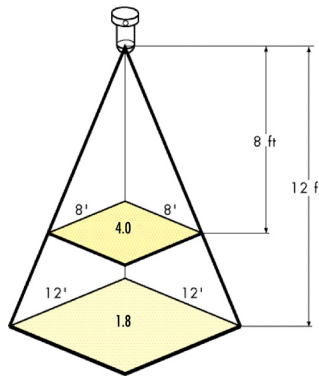
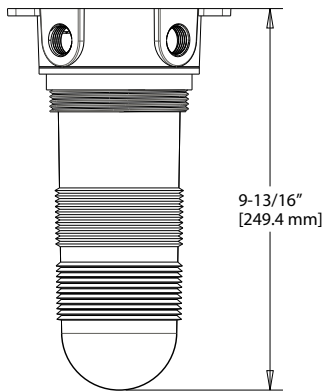
CAT NO. **1806LED-11**

**1806LED ADAPTER RETROFIT KIT**



# 1806 LED ADAPTER RETROFIT KIT

SAVES MONEY AND ENERGY



LIGHT DISTRIBUTION FOR 1806 LED

Height in Feet	Average FC for Single Fixture Over Indicated Area	
	8' x 8'	12' x 12'
5	5.3	2.9
8	4.0	2.3
9	-	2.1
12	-	1.8
13	-	-
16	-	-
17	-	-
20	-	-

Model No.	Description
11806LED011	LED Adapter Retrofit Kit

## FEATURES AND SPECIFICATIONS

- ▲ Light Output: 980 lumens
- ▲ 85 lumens/watt - exceeds Federal Energy Act requirement
- ▲ Bright 5000K color temperature
- ▲ Rated 50,000 hr life
- ▲ Ideal operating temperature range from -40°F to 70°F (-40°C to 21°C)
- ▲ Power: 120 VAC at 60 Htz (line voltage)
- ▲ Rating: 11.5 watt, 120 V
- ▲ Globe: High impact lexan with Light Intensifying Focused Optics (LIFO)
- ▲ 3 year limited warranty on lamp
- ▲ Converts standard Edison Type "A" lamp to GU24 lamp base
- ▲ Built-in non-removable thread stop
- ▲ Fits most pre-existing housings
- ▲ Gasket, lamp adapter, LED lamp, and globe included
- ▲ RoHS compliant
- ▲ Lamp and adapter are individually UL listed
- ▲ Patent Pending



LM-79 TESTED



APPROVALS:

DATE: