



1808 LED FIXTURE

- Low profile high impact Lexan globe with anti-glare technology.
- Preferred fixture for replacing inefficient lighting.
- Designed to reduce electrical usage by 85%.
- Minimal heat generation will lower utility cost.
- Exceeds Federal Energy Act Requirements
- Rated for 50,000+ hours life.
- 4000K color temperature.
- Designed for damp/wet/cooler/freezer environments.
- 5 year limited warranty on the light engine.
- LM-79 Tested.

SPECIFICATIONS

MATERIAL:
Lexan lens. Aluminum housing.

MOUNTING:
Surface mount.

ELECTRICAL:
1160 Total Lumens
90-305 VAC, 50/60 Hz.
86 Lumens/Watt
.12 Amps
Watts: 13.5 W
Power factor: 0.9
CRI 85

SAFETY STANDARDS:
RoHS
UL listed US and Canada,
File No. E333932
NSF Listed
IP-65
Energy Star Certified
Patent Applied

TEMPERATURE RATINGS:
Operating temperature:
-40°F [-40°C] to 104°F [40°C].

Model No.	Description
11808000000	14 Watt, VP, 90-305 V, LED Fixture

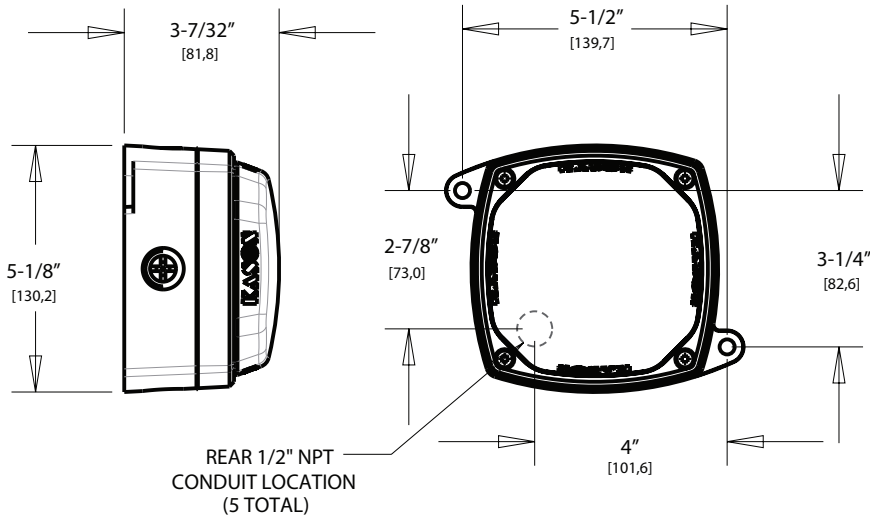
ITEM # 1808 LED FIXTURE

GreenGuard
BY KASON INDUSTRIES

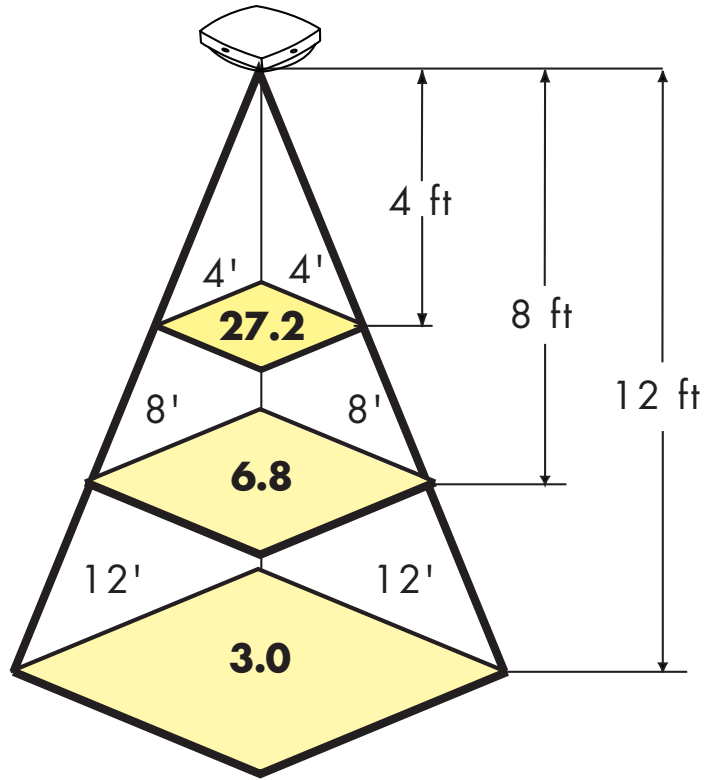
APPROVED CERTIFICATIONS



PENDING CERTIFICATIONS



1808 LED LIGHT DISTRIBUTION



LIGHT DISTRIBUTION FOR 1808 LED

Height in Feet	Average FC for Single Fixture Over Indicated Area	
	8' x 8'	12' x 12'
5	9.3	5.1
8	6.8	4.0
9	-	3.7
12	-	3.0

