



1806 LED FIXTURE

SAVES MONEY AND ENERGY

SUSTAINABLE LED technology assures sustainable energy savings over the life of the fixture. The vaporproof fixture is supplied complete with the unique, Kason engineered LED 11.5 watt bulb. The first LED replacement for 75-100 watt incandescent bulbs, designed specifically for WET freezer and cooler applications.

EFFICIENT Our 1806 LED is engineered for precise optical performance (85 lumens/watt), providing specifiers and end users with the most cost efficient way to light walk-ins, while significantly reducing electrical costs. Our unbreakable lexan globe features LIFO (Light Intensifying Focus Optics) technology that provides precise light placement where it is needed in the walk-in.

FAST RETURN Payback in as little as four (4) months. Our 11.5-watt design can reduce electrical usage by 85%. Minimal heat generation will also lower utility cost. LED lamps are rated 50,000 hr/life -- save on bulb replacement. Find your specific savings using the Kason Payback Calculator.

WET & COLD APPLICATIONS Specifically designed to meet UL certification for use in wet and low temperature environments. Operating temperature range from -40° F to 40° F (-40° C to 4° C). Luminaire meets IP-65 for wet and cold applications.

INSTANT ON Reach full light level immediately even in lowest temperatures. No more waiting for freezer lights to warm up.

SAFE LAMPS Mercury-free lamps are UL listed, which creates a safer environment.

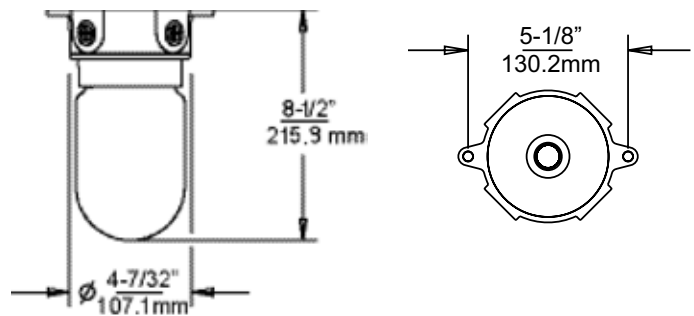
FAST RETROFIT Easily replaces less energy-efficient lighting.



ELECTRICAL SPECIFICATIONS

- Unbreakable lexan globe
- 1 lamp, 11.5 watt, 120 VAC,
- Light output: 980 lumens
- 85 lumens/watt - exceeds Federal Energy Act requirements
- Color temperature: 5000K
- Rated 50,000 hour life
- Designed for wet and cooler/freezer (-40° F) environments
- 5-year limited warranty on fixture
- 3-year limited warranty on lamp
- No mercury
- RoHS compliant
- Lamps are cULus listed
- NSF listed
- U. S. Patent Pending
- LM-79 Tested
- Luminaire: Rating IP-65 for wet and cold environments

Model No.	Model Description
1806LED000	Fixture w/ Lamp and Optic Globe
1806LED014	Replacement Lamp, GU-24, 120 VAC, 11.5W, 60 HZ, 5000K Color Temperature



LIGHT DISTRIBUTION CHART ON FOLLOWING PAGE

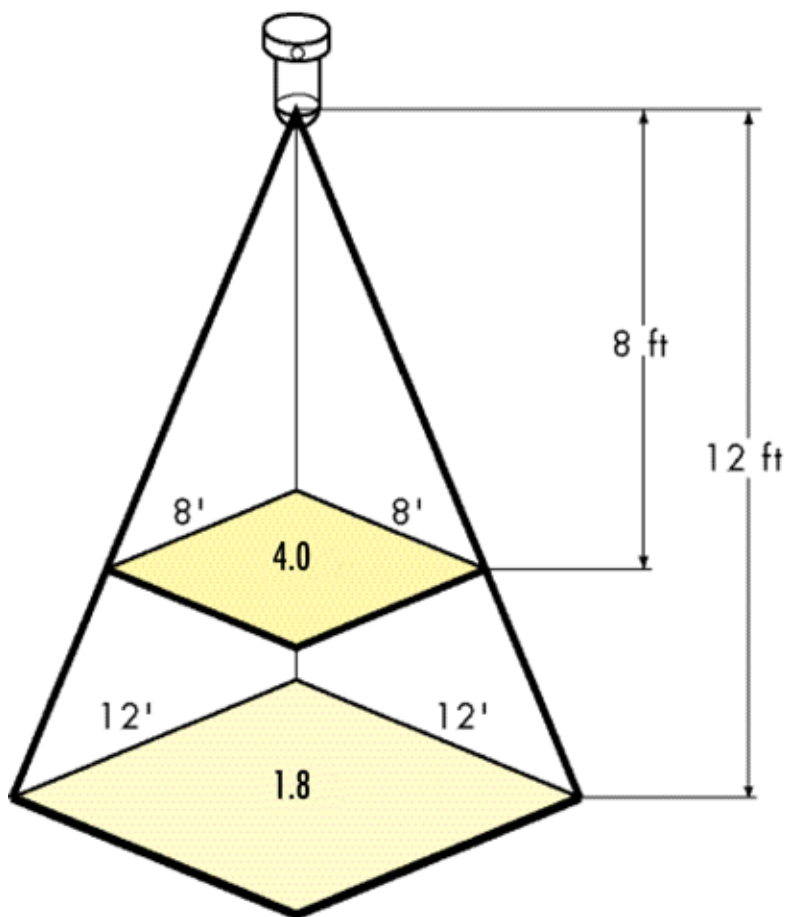


Kason Industries Inc. 57 Amlajack Blvd. Newnan, GA. 30265 Tollfree 1-800.935.2766 www.kasonind.com

1806 LED FIXTURE

LIGHT DISTRIBUTION

LIGHT DISTRIBUTION FOR 1806 LED		
Height in Feet	Average FC for Single Fixture Over Indicated Area	
	8' x 8'	12' x 12'
5	5.5	2.9
8	4.0	2.3
9	-	2.1
12	-	1.8
13	-	-
16	-	-
17	-	-
20	-	-



Kason Industries Inc. 57 Amlajack Blvd. Newnan, GA. 30265 Tollfree 1-800.935.2766 www.kasonind.com